



## DETECTORS

# 727/727R

*Lead Shield for NaI Detectors*



## FEATURES

- Low background lead – 5 cm thick
- Accommodates large samples
- For standard or well detectors
- Full  $4\pi$  shielding

## DESCRIPTION

The Model 727 Universal Shield accommodates NaI(Tl) detectors up to 3 x 3 in. in size providing two inches of lead shielding around the detector. The shield is lined with 0.6 cm (0.25 in.) thick copper or brass to minimize interference from lead x-rays and is jacketed with 0.6 cm (0.25 in.) of steel and finished with an attractive and durable textured epoxy paint.

The 727 shield can be used with either standard or well-type detectors and will accommodate samples up to 8.9 cm (3.5 in.) diameter and 7.6 cm (3 in.) long. Access to the sample chamber is available by way of the stepped plug which affords a 2.5 cm (1 in.) diameter opening, or by way of the swivel top which opens almost effortlessly to either right or left, providing the full-area opening necessary for large samples.

Adapter kits are available for a variety of detector sizes. The optional sample holder provides for sample-detector spacing of 0 to 3 inches in 0.25 inch increments.

The Model 727R Shield is like the Model 727 Shield except it has an enlarged sample space to accommodate 10 cm (4 in.) diameter charcoal canisters. The enlarged sample space is 11.4 cm diameter by 3.8 cm deep (4.5 by 1.5 in.).

# 727/727R | LEAD SHIELD FOR NAI DETECTORS

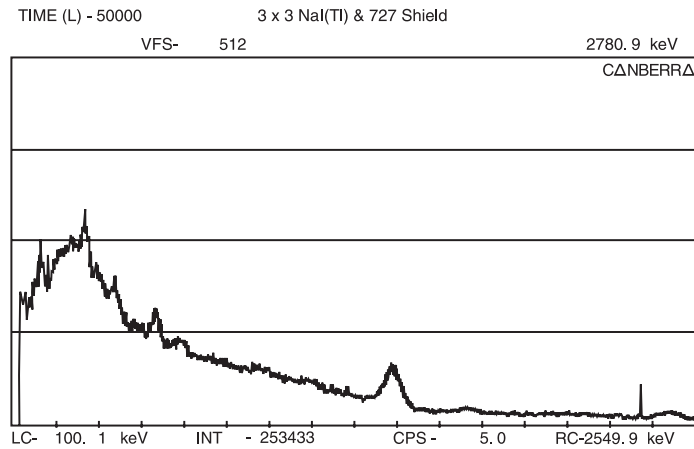
## SPECIFICATIONS

### PHYSICAL

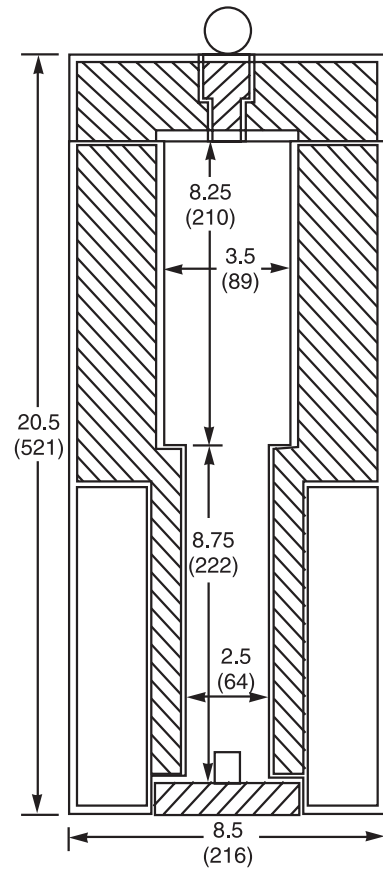
- Diameter: 21.6 cm (8.5 in.)
- Height: 52.1 cm (20.5 in.)
- Weight: 127 kg (280 lb)
- Shipping Weight: 138 kg (305 lb)

### ACCESSORIES

- Model 727-1: Adapters for 802-2 x 2, 2 x 2W
- Model 727-2: Adapters for 802-3 x 3, 3 x 3W
- Model 727-3: Sample Holder (For 727 only)



Background Spectrum from 3 x 3 NaI(Tl) Detector



Cross Sectional View Dimensions in inches (mm)

