



MIRION
TECHNOLOGIES

High Temperature. **Safety.**

M721

Remote Auto Iris Controller



Nuclear
Power



Homeland
Security
& Defense



Industrial and
Manufacturing



Healthcare



Labs and
Education

OVERVIEW

Normal operation of an industrial process such as a utility boiler or kiln includes a wide variation of operating loads from cold start-up to full load. Even the most versatile of auto-iris cameras cannot compensate for these changing light levels. The IST-Quadtek M721 auto-iris controller allows the operator to make level adjustments to the M508 camera auto-iris from the control room. Level control of the auto-iris means that flame details will not be lost due to camera saturation. During start-up, burner viewing will not be lost due to insufficient levels of brightness.

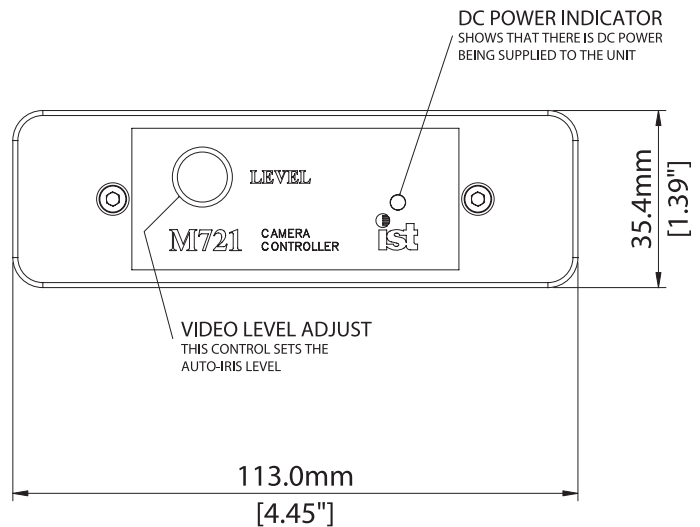
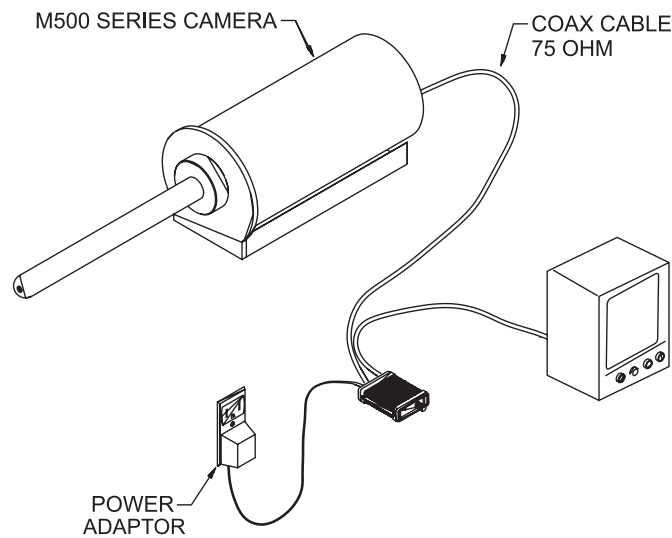
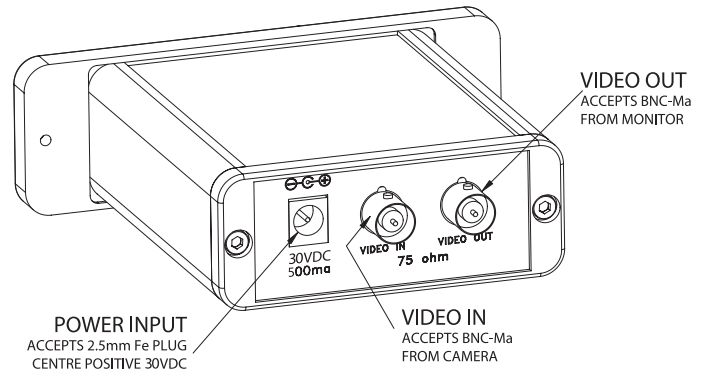
Connection is made simple because the M721 controls the cameras iris while sharing the same coax that is normally run from the camera to the control room.

KEY FEATURES

- Video image contrast adjustment
- Locate next to monitor in the control room
- Simple connection, shares same coax as camera

SPECIFICATIONS AND PERFORMANCE

Power Requirements	30Vdc; 500mA via 100-240 Vac power adaptor
Physical Dimensions	33mm H x 89mm W x 108mm D (1.28" H x 3.50" x 4.25" D)
Installation Clearances	76mm (3.0" in rear)
Operating Temperature Range	0 to 50° C (32 to 121° F)
Storage Temperature Range	-25 to 70° C (-13 to 158° F)
Relative Humidity	0 to 95%
Camera Requirements	Quadtek M508 Lynx camera with remote iris control option
Video Input	1 channel 75 ohm composite video with BNC connector
Video Output	1 channel 75 ohm composite video with BNC connector



> UK - FARNBOROUGH
 Mirion Technologies (IST) Ltd
 2 Columbus Drive, Farnborough, Hampshire, GU14 0NZ
 T: +44 1252 375137 | F: +44 1252 391890 | E: MirionUK@mirion.com

> GERMANY - BONN
 Mirion Technologies
 Kaiser-Konrad-Str 93a, D53225, Bonn
 T: +49 228 625088 | F: +49 228 626 300 | E: rees.sales@mirion.com

> CHINA - BEIJING
 Mirion Technologies
 15/F, Office Building A, Parkview Green, 9 Dongdaqiao Road,
 Chaoyang District, Beijing 100020
 T: 0086 139 1163 6957 | E: away@mirion.com

> USA - OHIO
 Mirion Technologies (IST) Corporation
 12954 Stonecreek Drive, Suite C, Pickerington, OH 43147
 T: +1 614 367 2050 | F: +1 614 367 2464 |
 E: isdquadtekusa@mirion.com

For additional information, please contact your Mirion Technologies representative; for any country not listed, email rees.sales@mirion.com.

Copyright © 2017 Mirion Technologies, Inc. or its affiliates. All rights reserved. Mirion, the Mirion logo, and other trade names of Mirion products listed herein are registered trademarks or trademarks of Mirion Technologies, Inc. or its affiliates in the United States and other countries. Third party trademarks mentioned are the property of their respective owners.

Specifications may vary according to system configuration. We reserve the right to modify or amend the information herein without prior warning. Please contact your Mirion representative for further information.

Mirion Technologies (IST) Ltd and Mirion Technologies (Imaging), LLC are ISO 9001:2008 certified companies (certificates available on request or at www.mirion.com).

Please note that the products and accessories described in this data sheet may be subject to UK export control or US re-export control. Please check with your authorized representative when enquiring about this product.