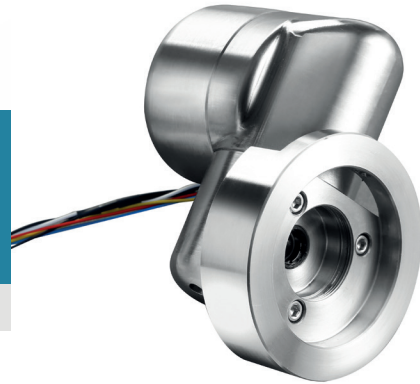




SC985

Color Camera Module



Nuclear
Power



Homeland
Security
& Defense



Industrial and
Manufacturing



Healthcare



Labs and
Education

OVERVIEW

The IST-Rees™ SC985 camera module from Mirion Technologies has been specifically developed to provide a color single unit camera for Mid-Rad applications in the nuclear industry. The module provides high quality images with an exceptionally wide dynamic range and can support CS or C mount lenses. A radiation tolerance of 10 kGy (1 Mrad) is achieved by utilizing Mirion's Dotcam HR technology, combined with innovative optics and tungsten shielding. With an easy to replace sensor and all other parts tolerant to 1 MGy (100 Mrad), the design delivers a low cost of ownership.

The module has been built into a number of custom housings including Pan/Tilt/Zoom camera outstations; contact your local Mirion representative for further information.

KEY FEATURES

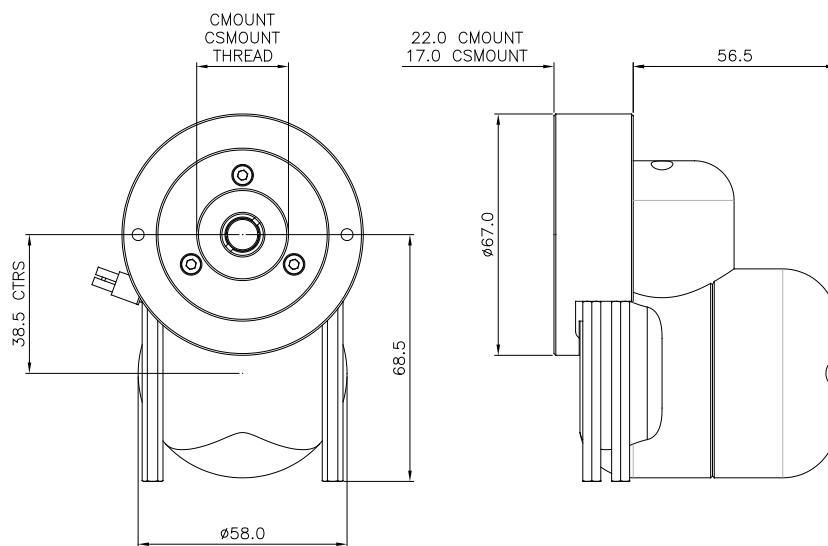
- Color Mid-Rad camera module
- Radiation tolerant to 10 kGy (1 Mrad)
- Maximum dose rate 1 kGy/h (100 krad/h)
- 450 TV lines resolution
- 65 °C maximum operating temperature
- 4 lx minimum scene illumination
- C and CS mount versions
- Non-Browning zoom lenses available

APPLICATIONS

- In-cell surveillance
- In-containment monitoring
- Cranes
- Manipulators

SC985 Camera Module	
Radiation Tolerance	10 kGy (1 Mrad) [¹³⁷ Cs]
Radiation Dose Rate	1 kGy/h (100 krads/h) [¹³⁷ Cs]
Resolution	450 TV lines, horizontal PAL 400 TV lines, NTSC
Video output	1 V p-p into 75 ohms
Sensitivity (min)	4 lx (f/1.8)
Lens	C or CS Mount
Operating Temperature	0 to 65 °C (32 to 149 °F)

Material Construction	Tungsten, stainless steel
Dimensions	Height 102 mm (4") Length - C Mount 78.5 mm (3.1") Length - CS Mount 73.5 mm (2.9") Width 67 mm (2.6")
Weight	3.5kg
Connections	4 Way Microfit Plug
Power In	5 V DC ±10%



> USA - NEW YORK

Mirion Technologies (Imaging), LLC
315 Daniel Zenker Drive, 200 IST Center, Horseheads, NY 14845
T: +1 607 562 4369 | T: +1 800 432 1478 | F: +1 607 562 4392 |
E: isdnuclearusa@mirion.com

> UK - FARNBOROUGH

Mirion Technologies, Ltd
2 Columbus Drive, Farnborough, Hampshire, GU14 0NZ
T: +44 1252 375137 | F: +44 1252 391890 | E: rees.sales@mirion.com

> GERMANY - BONN

Mirion Technologies
Kaiser-Konrad-Str 93a, D53225, Bonn
T: +49 228 625088 | F: +49 228 626 300 | E: rees.sales@mirion.com

> FRANCE - LAMANON

Mirion Technologies
Route d'Eyguières, FR - 13113 Lamanon
T: +33 490 595959 | F: +33 490 595518 | E: rees.sales@mirion.com

Please contact your Mirion Technologies representative to advise any specific vibration or seismic qualification.

Copyright © 2015 Mirion Technologies, Inc. or its affiliates. All rights reserved. Mirion, the Mirion logo, and other trade names of Mirion products listed herein are registered trademarks or trademarks of Mirion Technologies, Inc. or its affiliates in the United States and other countries. Third party trademarks mentioned are the property of their respective owners.

Specifications may vary according to system configuration. We reserve the right to modify or amend the information herein without prior warning. Please contact your Mirion representative for further information.

The management system governing the manufacture of this product is ISO 9001:2008 certified.